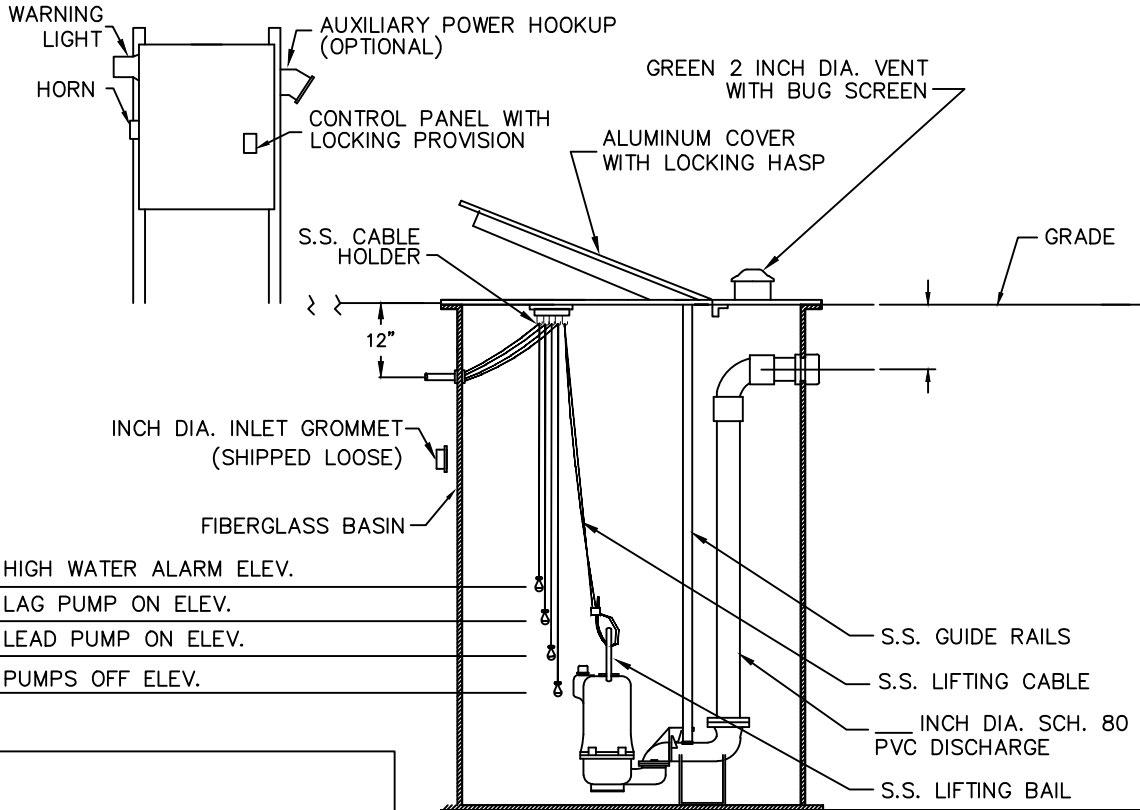
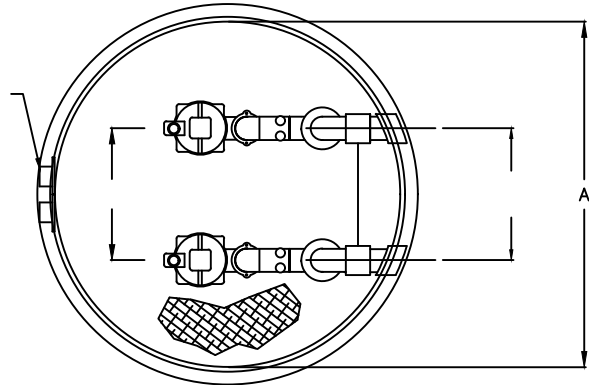


QTY. (2) _____ INCH DIA.
ELECTRICAL HUBS ON
5 INCH CENTERLINE



PUMP SPECIFICATIONS

PUMPS REQUIRED	2
MANUFACTURER	HYDROMATIC
MODEL NUMBER	_____
PUMP SIZE	_____
CAPACITY EACH (GPM)	_____
TOTAL HEAD (FEET)	_____
IMPELLER DIAMETER	_____
MOTOR HP REQUIRED	_____
SPEED (RPM)	_____
ELECTRICAL	_____


TANK

A (DIA.)	B (HEIGHT)
36"	72"
48"	84"
60"	96"
OTHER _____	108"
	120"
	OTHER _____

ELEVATIONS

TOP OF WETWELL	_____
INLET INVERT	_____
HIGH WATER ALARM	_____
LAG PUMP ON	_____
LEAD PUMP ON	_____
PUMP OFF	_____
BOTTOM OF WETWELL	_____

1 DUPLEX LIFT STATION DETAIL

ORDER NO. -	 BARNEY'S PUMPS, INC. PO BOX 3529, LAKELAND, FL 33802 PHONE: (863) 665-8500 FAX: (863) 666-3858
SALES -	
PHASE -	PROJECT P-1
DRAWN BY: S.V.	CUSTOMER C-1
SCALE N.T.S.	TITLE DUPLEX LIFT STATION DETAIL
DATE 12/25/2021	DWG. # WW2GNFO
	PAGE 1 OF 1
	REV. 0