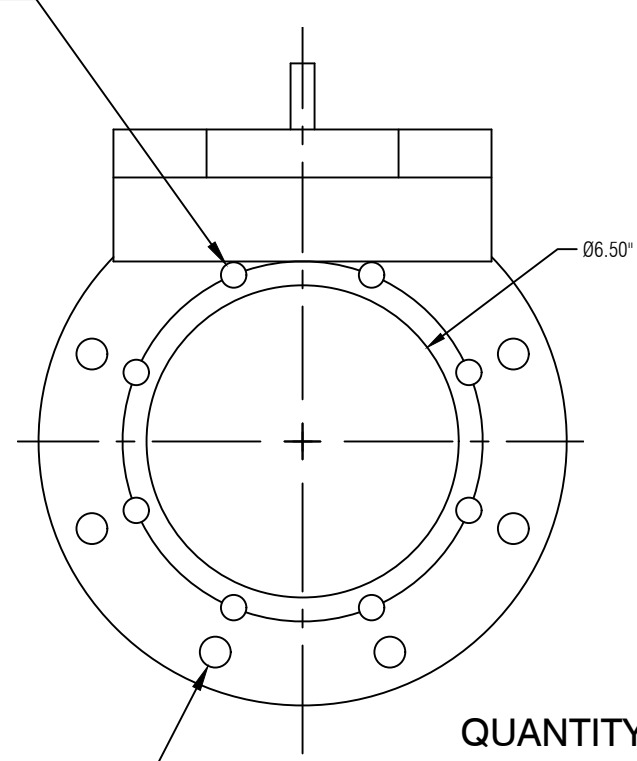
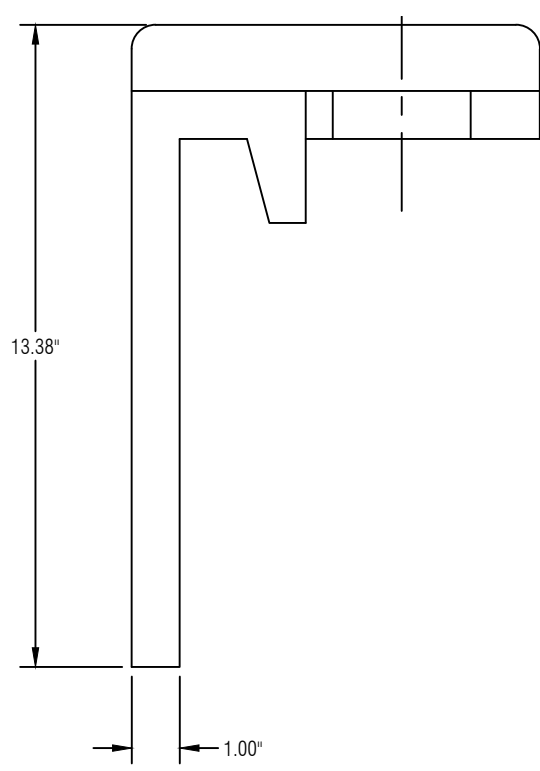


5/8"-10 THRU TAP ON 7.50"
BOLT CIRCLE (8 PLACES)



3/4"-10 THRU TAP ON 9.50"
BOLT CIRCLE (8 PLACES)

QUANTITY: 1

NOTE(S):
 1. ALL DIMENSIONS ARE IN INCHES.
 2. ALL SURFACES 125 UNLESS OTHERWISE NOTED.
 3. DEBURR AND REMOVE ALL SHARP EDGES AND CORNERS.

TOLERANCES UNLESS NOTED	
DECIMAL:	X.XX ± 0.125 X.XXX ± 0.063
ANGULAR:	± 1° 125
<small>PROPRIETARY - THE MATERIAL ON THIS PRINT IS PROPRIETARY AND THE PROPERTY OF BARNEY'S PUMPS INC. (BPI) AND NOT TO BE REPRODUCED, PUBLISHED OR DISCLOSED TO OTHERS WITHOUT PRIOR WRITTEN AUTHORIZATION FROM BPI.</small>	

REV.	REVISION DESCRIPTION	DATE	DRAWING NOT RELEASED UNTIL APPROVED & DATED		BARNEY'S PUMPS, INC. PO BOX 3529, LAKELAND, FL 33802 PHONE: (863) 665-8500 FAX: (863) 666-3858	
△	-	-	ENGINEER SIGNATURE/DATE:		CUSTOMER: BPI	
			ENGINEER: -	DRAWN BY: R.R.B.	JOB NAME: 65-45-12 DUCTILE IRON, WEIGHT 40#	SALESPERSON: -
			PHASE: BUILD	DATE: 11/08/2012	JOB TITLE: 4" X 6" GROMMET ADAPTER FLANGE	REV. 1.4
			SCALE: 1:4	SO: - PRD: -	DWG. No. BPIUG-26AF	PAGE: 1 OF 1