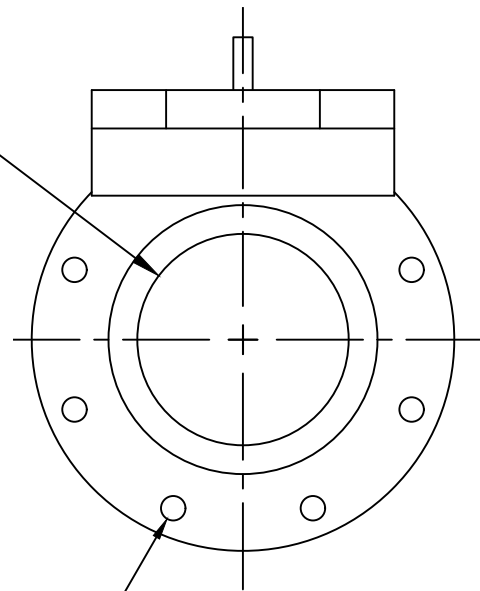


Ø5.50"



3/4"-10 THRU TAP ON 9.50"
BOLT CIRCLE (8 PLACES)

QUANTITY: 1

NOTE(S):

1. ALL DIMENSIONS ARE IN INCHES.
2. ALL SURFACES 125/ UNLESS OTHERWISE NOTED.
3. DEBURR AND REMOVE ALL SHARP EDGES AND CORNERS.


TOLERANCES UNLESS NOTED

DECIMAL: X.XX ± 0.125
X.XXX ± 0.063

ANGULAR: ± 1°
✓ 125



PROPRIETARY - THE MATERIAL ON THIS PRINT IS PROPRIETARY AND THE PROPERTY OF BARNEY'S PUMPS INC. (BPI) AND NOT TO BE REPRODUCED, PUBLISHED OR DISCLOSED TO OTHERS WITHOUT PRIOR WRITTEN AUTHORIZATION FROM BPI.

REV.	REVISION DESCRIPTION	DATE	DRAWING NOT RELEASED UNTIL APPROVED & DATED		 BARNEY'S PUMPS, INC. PO BOX 3529, LAKELAND, FL 33802 PHONE: (863) 665-8500 FAX: (863) 666-3858	
△	-	-	ENGINEER SIGNATURE/DATE:			
			ENGINEER: -		CUSTOMER: BPI	
			PHASE: BUILD		JOB NAME: 6" METAL TO METAL DISCHARGE FLANGE	
			SCALE: 1:5		JOB TITLE: 65-45-12 DUCTILE IRON, WEIGHT 40#	
			DATE: 11/08/2012		JOB No. SO: - PRD: - DWG. No. BPIU-26	
					PAGE: 1 OF 1	
					REV. 1.4	