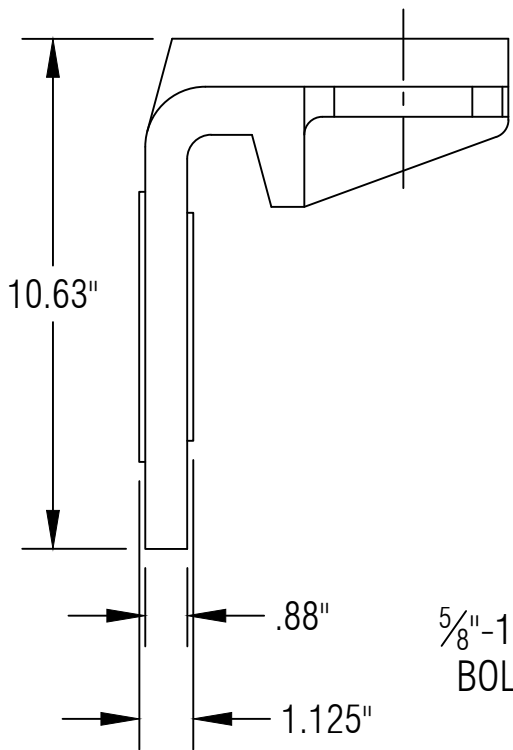
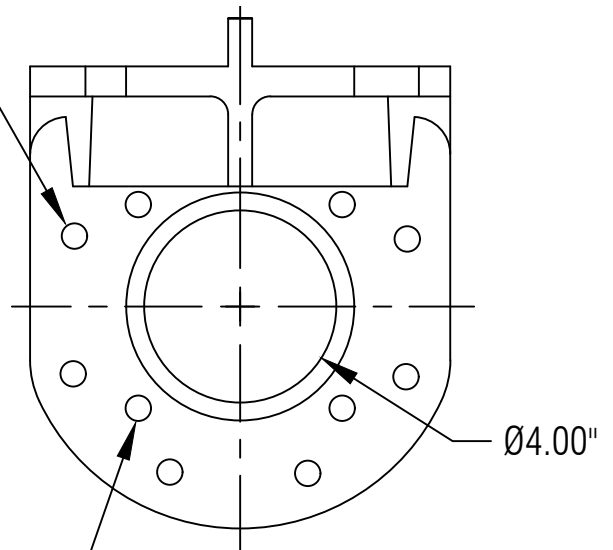


5/8"-11 THRU TAP ON 7.50"
BOLT CIRCLE (8 PLACES)



5/8"-11 THRU TAP ON 6.00"
BOLT CIRCLE (4 PLACES)



QUANTITY: 1

NOTE(S):


1. ALL DIMENSIONS ARE IN INCHES.
2. ALL SURFACES 125° UNLESS OTHERWISE NOTED.
3. DEBURR AND REMOVE ALL SHARP EDGES AND CORNERS.

TOLERANCES UNLESS NOTED

DECIMAL:	X.XX ± 0.125
	X.XXX ± 0.063
ANGULAR:	± 1°
✓	125



PROPRIETARY - THE MATERIAL ON THIS PRINT IS PROPRIETARY AND THE PROPERTY OF BARNEY'S PUMPS INC. (BPI) AND NOT TO BE REPRODUCED, PUBLISHED OR DISCLOSED TO OTHERS WITHOUT PRIOR WRITTEN AUTHORIZATION FROM BPI.

REV.	REVISION DESCRIPTION	DATE	DRAWING NOT RELEASED UNTIL APPROVED & DATED		 BARNEY'S PUMPS, INC. PO BOX 3529, LAKELAND, FL 33802 PHONE: (863) 665-8500 FAX: (863) 666-3858
△	-	-	ENGINEER SIGNATURE/DATE:		
			ENGINEER: -		CUSTOMER: BPI
			PHASE: BUILD	DRAWN BY: R.R.B.	JOB NAME: 3"x4" METAL TO METAL ADAPTER FLANGE
			SCALE: 1:4	DATE: 11/14/2012	JOB TITLE: 65-45-12 DUCTILE IRON, WEIGHT 30#
					JOB No. SO: - PRD: - DWG. No. BPIU-24AF
					PAGE: 1 OF 1
					REV. 1.5