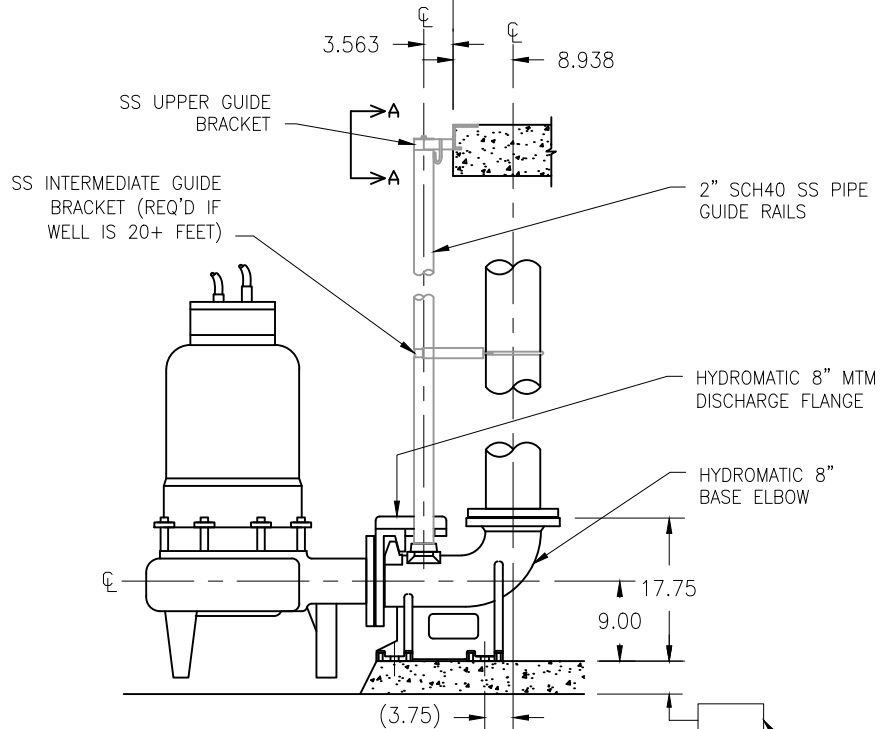
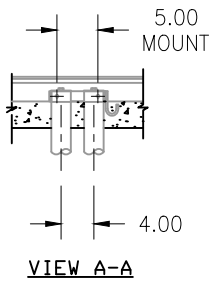
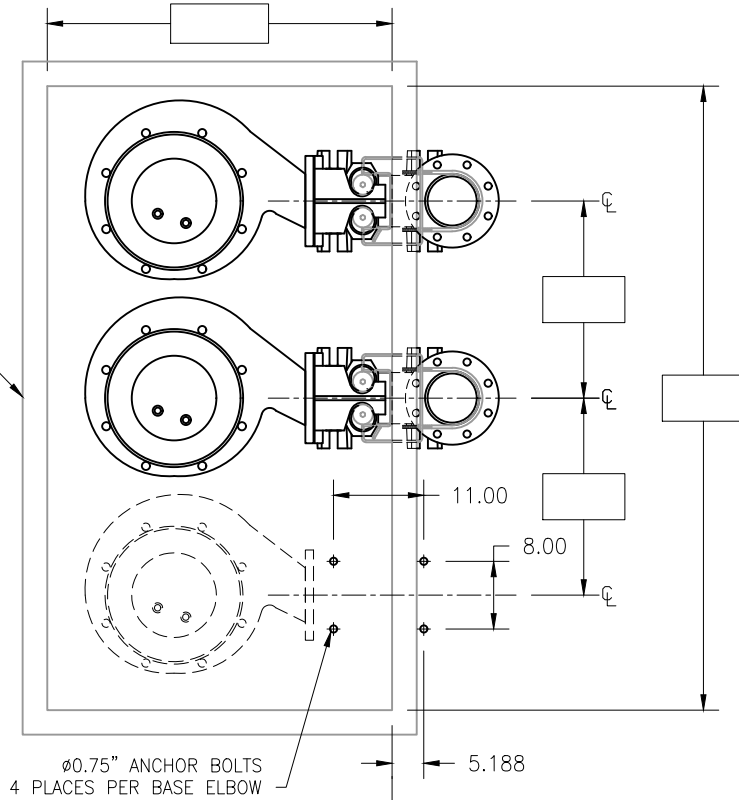



ALUMINUM HATCH



MINIMUM DIMENSION TO BE SUPPLIED AND VERIFIED BY CONTRACTOR. DISTANCE REQUIRED FOR PROPER SUCTION CLEARANCE.

REV.	REVISION DESCRIPTION	DATE	DRAWING NOT RELEASED UNTIL APPROVED & DATED		 <b>BARNEY'S PUMPS, INC.</b> PO BOX 3529, LAKELAND, FL 33802 PHONE: (863) 665-8500 FAX: (863) 666-3858
△	-	-	ENGINEER SIGNATURE/DATE:		
			ENGINEER: -		CUSTOMER: -
			PHASE: PRELIM		JOB NAME: -
			SCALE: 1:20		SALESPERSON: -
			DATE: 01/24/2022	DRAWN BY: S. TOWLES JOB TITLE: 8" TRIPLEX RAIL SYSTEM	REV. A
			SO: -	PRD: - DWG. No. A-1076	PAGE: 1 OF 1