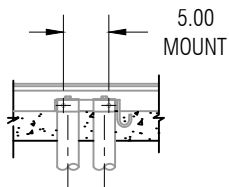
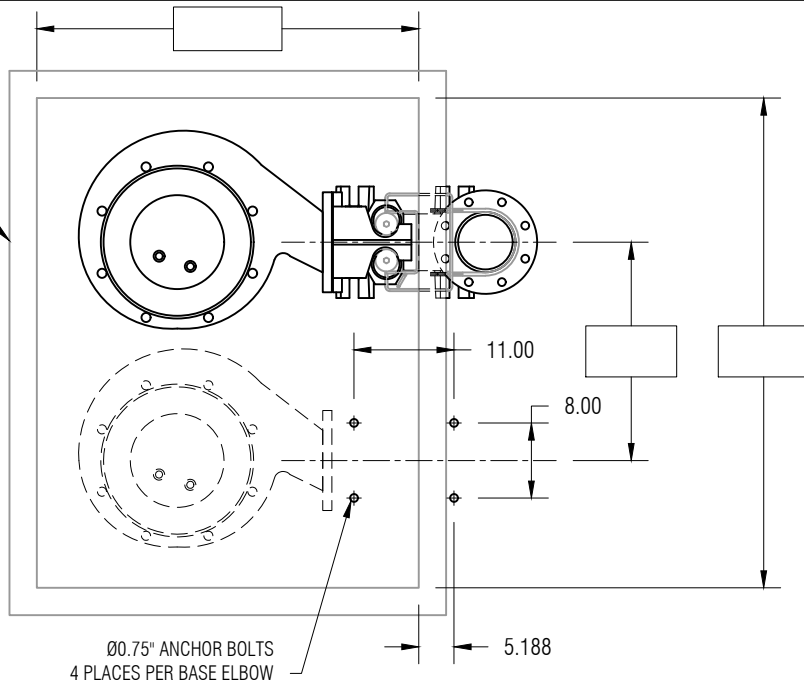


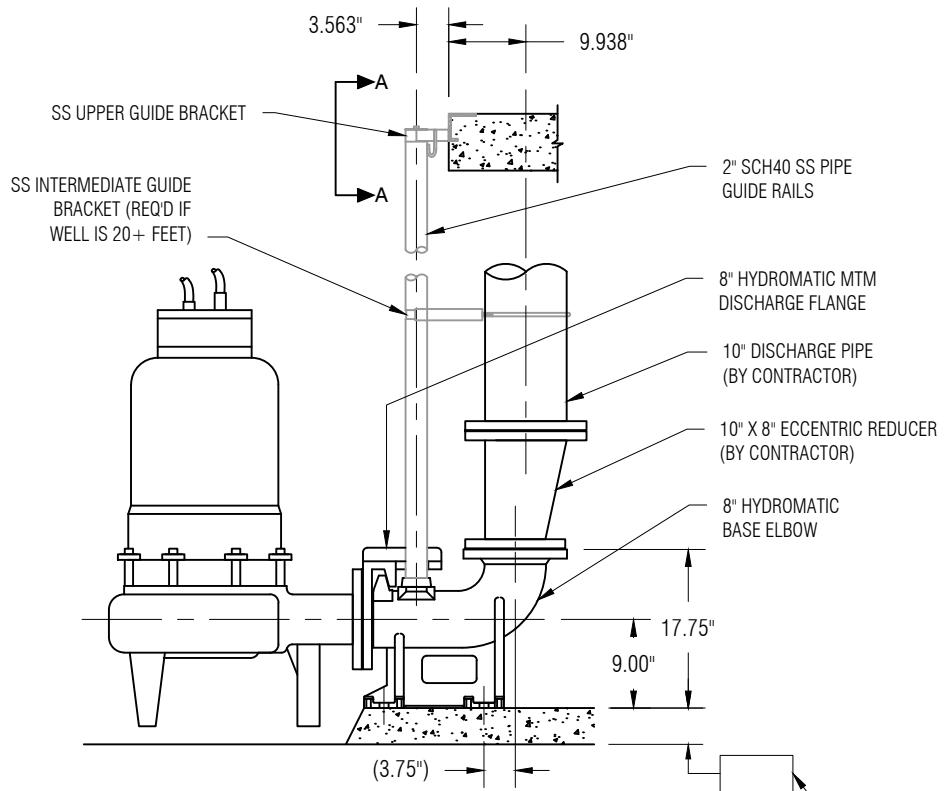
ALUMINUM HATCH




5.00 MOUNT

VIEW A-A

Ø0.75" ANCHOR BOLTS  
4 PLACES PER BASE ELBOW



MINIMUM DIMENSION TO BE SUPPLIED AND VERIFIED BY CONTRACTOR.  
DISTANCE REQUIRED FOR PROPER SUCTION CLEARANCE.

REV.	REVISION DESCRIPTION	DATE	DRAWING NOT RELEASED UNTIL APPROVED & DATED		 <b>BARNEY'S PUMPS, INC.</b> PO BOX 3529, LAKELAND, FL 33802 PHONE: (863) 665-8500 FAX: (863) 666-3858
△	-	-	ENGINEER SIGNATURE/DATE:		
			ENGINEER:		CUSTOMER:
			PHASE: PRELIM		JOB NAME:
			DRAWN BY: S. TOWLES		SALESPERSON:
			DATE: 01/24/2022		JOB TITLE:
			SCALE: 1:20		8" DUPLEX RAIL SYSTEM WITH 10" X 8" ECCENTRIC REDUCER
			JOB No. SO:- PRD:-		DWG. No. A-1072
			PAGE: 1 OF 1		REV. A