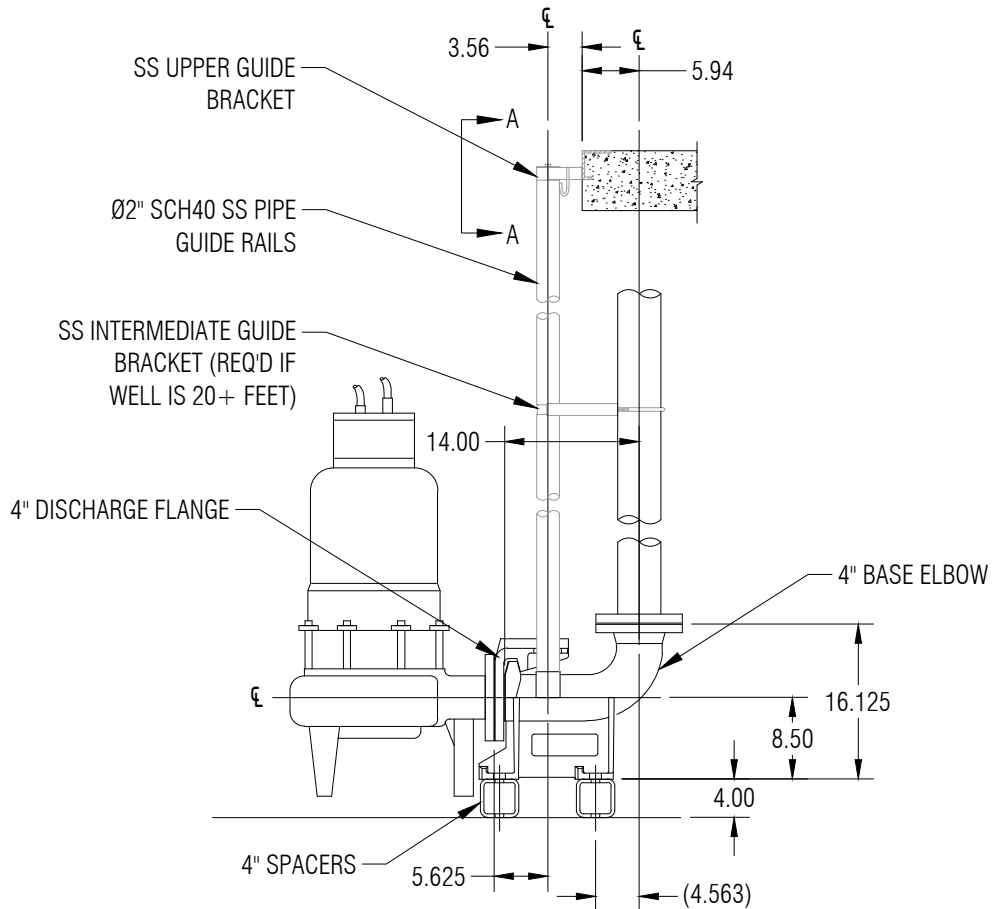



**SECTION A-A**



**NOTE(S):**  
1. ALL DIMENSIONS ARE IN INCHES.

REV.	REVISION DESCRIPTION	DATE	DRAWING NOT RELEASED UNTIL APPROVED & DATED		 <b>BARNEY'S PUMPS, INC.</b> PO BOX 3529, LAKELAND, FL 33802 PHONE: (863) 665-8500 FAX: (863) 666-3858
△	-	-	ENGINEER SIGNATURE/DATE:		
			ENGINEER:	CUSTOMER:	
			PHASE:	ENGINEER:	JOB NAME:
			SCALE:	DATE:	JOB TITLE:
			1:20	02/21/2003	4" DUPLEX RAIL SYSTEM w/ 4" SPACER
				JOB No.	DWG. No.
				SO:-	A-1038
				PRD:-	PAGE:
					1 OF 1
					REV. 0