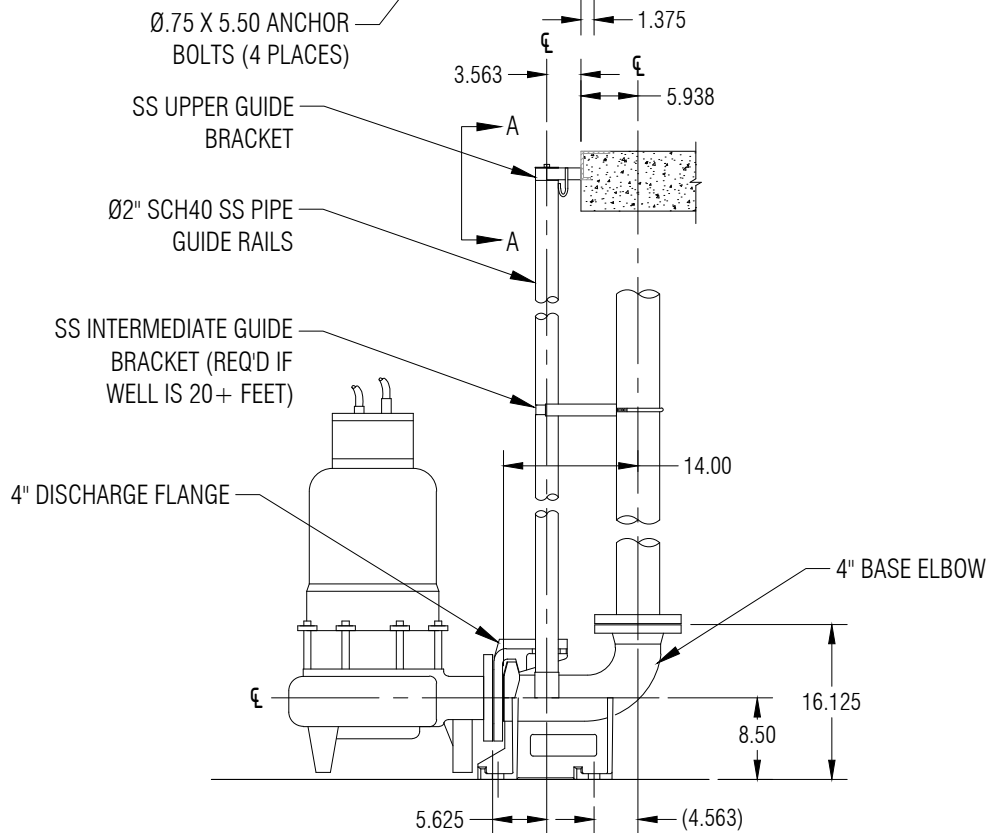



SECTION A-A



NOTE(S):
1. ALL DIMENSIONS ARE IN INCHES.

REV.	REVISION DESCRIPTION	DATE	DRAWING NOT RELEASED UNTIL APPROVED & DATED		 BARNEY'S PUMPS, INC. PO BOX 3529, LAKE LAND, FL 33802 PHONE: (863) 665-8500 FAX: (863) 666-3858
△	-	-	ENGINEER SIGNATURE/DATE:		
			ENGINEER:		CUSTOMER:
			PHASE: SUBMITTAL		JOB NAME:
			DRAWN BY: B. SCHULTZ		SALESPERSON:
			DATE: 06/29/2023		JOB TITLE: 4" TRIPLEX RAIL SYSTEM
			SCALE: 1:20		JOB No. DWG. No. A-1025
			SO: PRD:-		PAGE: 1 OF 1
					REV. 0