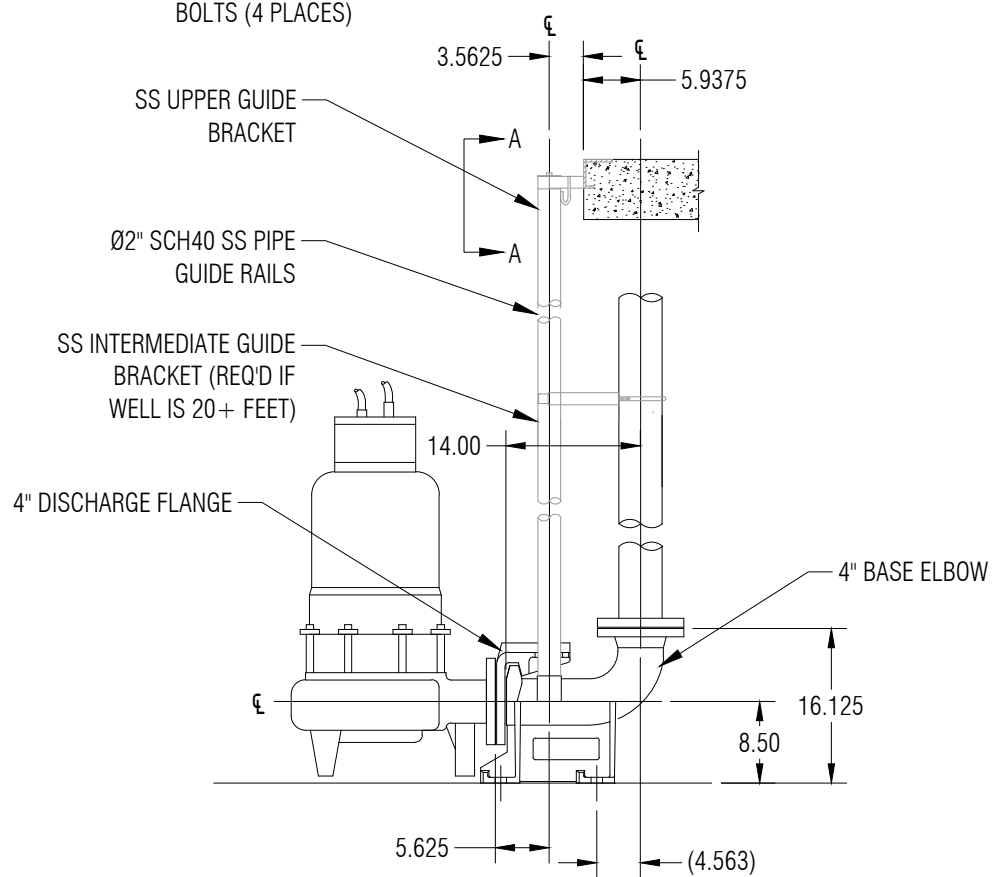



SECTION A-A



NOTE(S):
1. ALL DIMENSIONS ARE IN INCHES.

REV.	REVISION DESCRIPTION	DATE	DRAWING NOT RELEASED UNTIL APPROVED & DATED		 BARNEY'S PUMPS, INC. PO BOX 3529, LAKELAND, FL 33802 PHONE: (863) 665-8500 FAX: (863) 666-3858
△	-	-	ENGINEER SIGNATURE/DATE:		
			ENGINEER:		CUSTOMER:
			PHASE: SUBMITTAL		JOB NAME:
			SCALE: 1:20		SALESPERSON:
			DATE: 09/06/2021	DRAWN BY: S. TOWLES	JOB TITLE: 4" DUPLEX RAIL SYSTEM
				SO: PRD:-	DWG. No. A-1024
					PAGE: 1 OF 1
					REV. 0