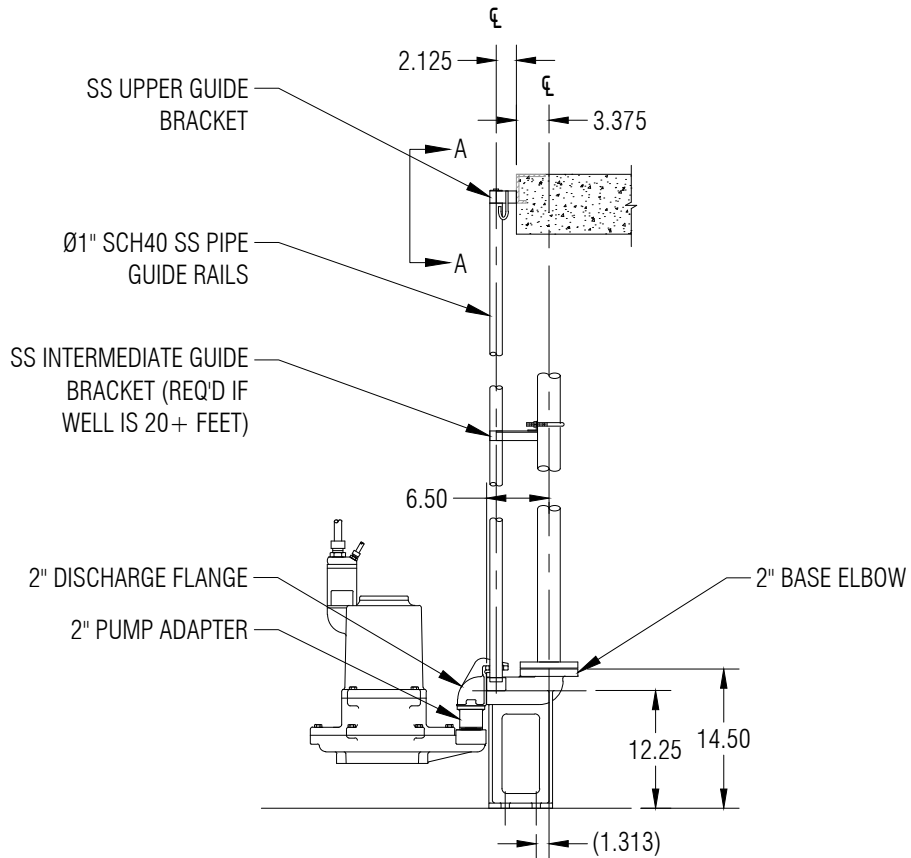



SECTION A-A



NOTE(S):
1. ALL DIMENSIONS ARE IN INCHES.

QUANTITY: **1**

REV.	REVISION DESCRIPTION	DATE	DRAWING NOT RELEASED UNTIL APPROVED & DATED		 BARNEY'S PUMPS, INC. PO BOX 3529, LAKELAND, FL 33802 PHONE: (863) 665-8500 FAX: (863) 666-3858	
△ -		-	ENGINEER SIGNATURE/DATE:		CUSTOMER:	
			ENGINEER:		JOB NAME:	SALESPERSON:
			PHASE: SUBMITTAL	DRAWN BY: BLT	JOB TITLE: 2" SIMPLEX RAIL SYSTEM	
			SCALE: 1:20	DATE: 04/01/2025	JOB No. SO: -	PRD: - DWG. No. A-1021
					PAGE: 1 OF 1	REV. 0