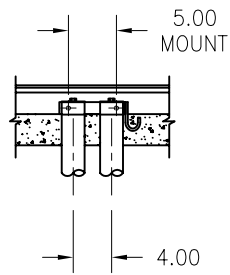
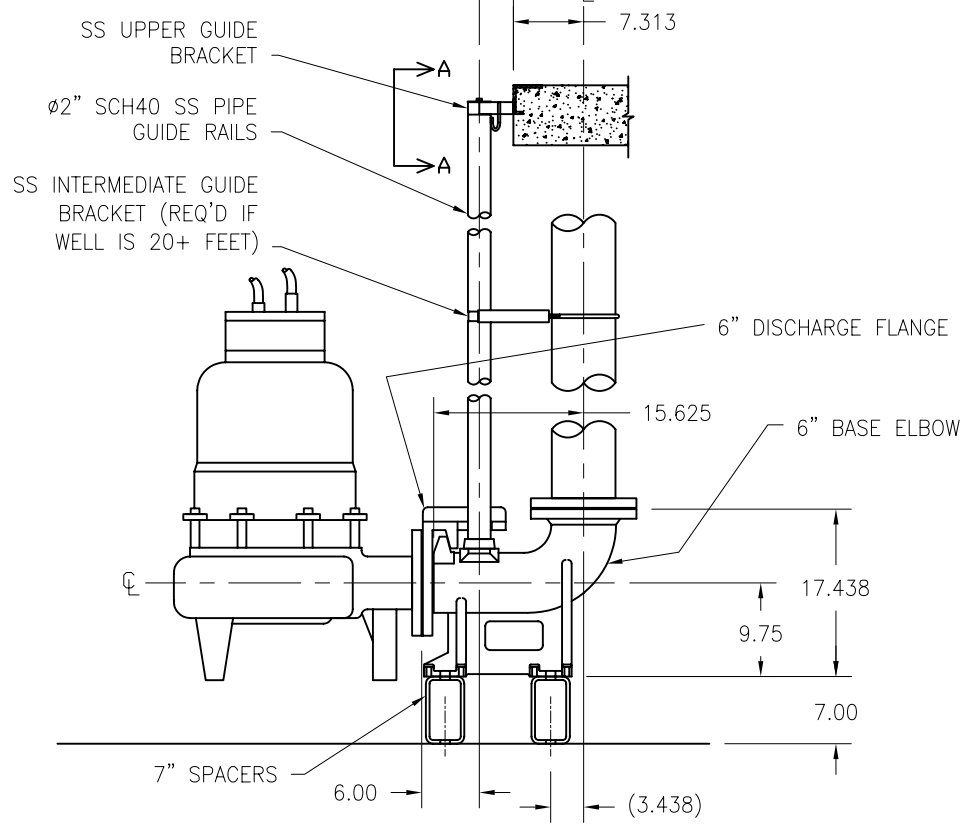


Ø0.75x5.50 ANCHOR BOLTS
4 PLACES PER BASE ELBOW



VIEW A-A



NOTE: ALL DIMENSIONS IN INCHES

			DRAWING NOT RELEASED UNTIL APPROVED & DATED		BARNEY'S PUMPS, INC.		
					PHONE: (863) 665-8500		
					PO BOX 3529, LAKELAND, FL 33802		
					FAX: (863) 666-3858		
			APPROVAL SIGNATURE		TITLE 6" DUPLEX RAIL SYSTEM W/7" SPACERS		
					MATERIAL -		
			APPROVAL DATE		SALESPERSON -		
			PLOT SCALE 1 TO 20		DWG. # A-1074		
REV.	REVISION DESCRIPTION	DATE			DWG. BY S. TOWLES	DATE 03/28/2006	REV. -