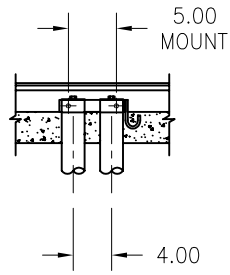
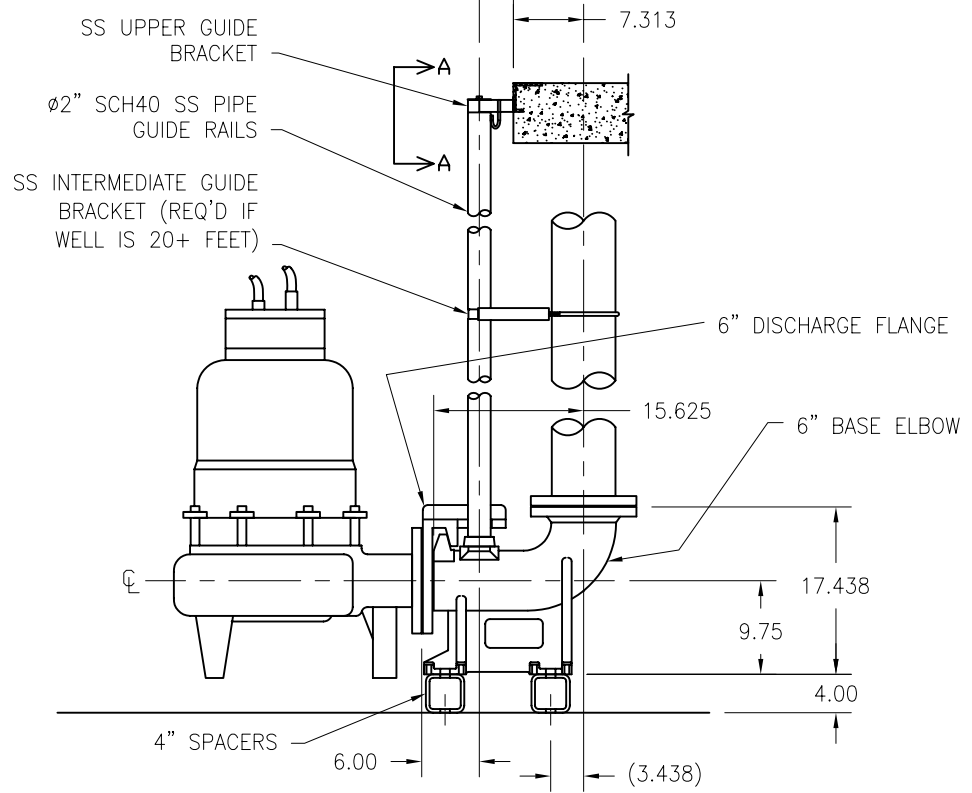


∅0.75x5.50 ANCHOR BOLTS
4 PLACES PER BASE ELBOW



VIEW A-A



NOTE: ALL DIMENSIONS IN INCHES

			DRAWING NOT RELEASED UNTIL APPROVED & DATED		BARNEY'S PUMPS, INC. PHONE: (863) 665-8500 PO BOX 3529, LAKELAND, FL 33802 FAX: (863) 666-3858		
			APPROVAL SIGNATURE		TITLE 6" DUPLEX RAIL SYSTEM W/4" SPACERS		
			APPROVAL DATE		MATERIAL - SALESPERSON -		
-	-	-	PLOT SCALE		DWG. BY S. TOWLES		DWG. # A-1073
REV.	REVISION DESCRIPTION	DATE	1 TO 20		DATE	03/28/2006	REV. -