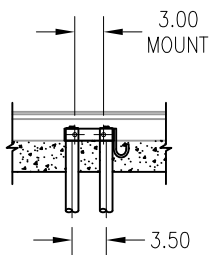
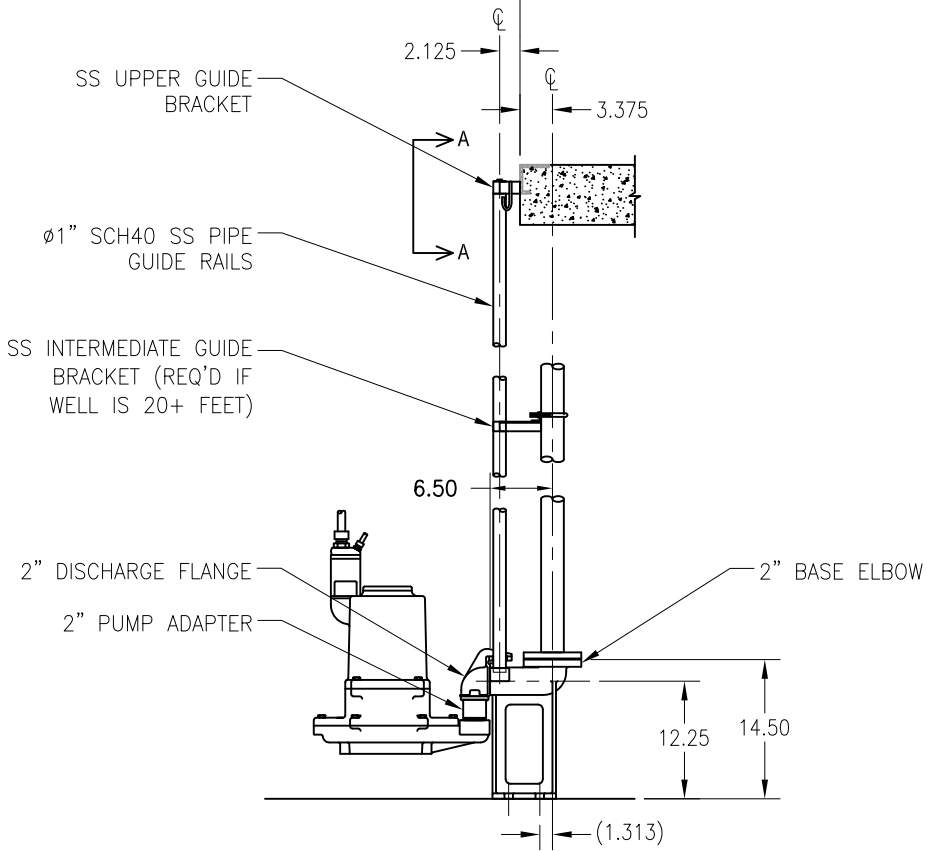


Ø0.75x5.50 ANCHOR BOLTS
(4 PLACES, PER BASE ELBOW)




VIEW A-A



2" DUPLEX RAIL SYSTEM

NOTE(S):
1. ALL DIMENSIONS ARE IN INCHES

			DRAWING NOT RELEASED UNTIL APPROVED & DATED		 BARNEY'S PUMPS, INC. PO BOX 3529, LAKELAND, FL 33802 PHONE: (863) 665-8500 FAX: (863) 666-3858	
			APPROVAL SIGNATURE			
			APPROVAL DATE		CUSTOMER -	
					TITLE 2" DUPLEX RAIL SYSTEM	REV. 0
REV.	REVISION DESCRIPTION	DATE	SCALE 1:20	DATE 06/08/2015	DRAWN BY: R. BRADY	DWG. # A-1022
					PAGE 1 OF 1	