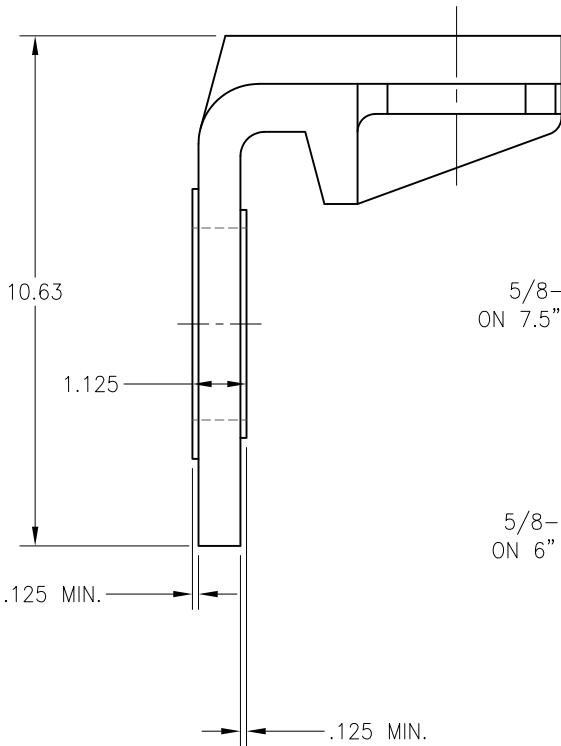
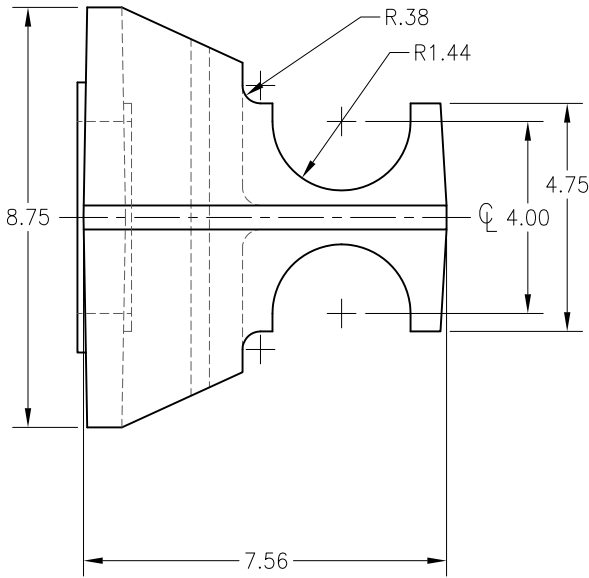


Drawing contains proprietary and confidential information. Do not share this drawing or any information on it without the express written permission of Barney's Pumps, Inc..

(BPI PART No. BPIU-24AF)



5/8-11 THRU TAP
ON 7.5" BOLT CIRCLE
(8 PLACES)

Ø4.00
THRU HOLE

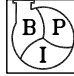
5/8-11 THRU TAP
ON 6" BOLT CIRCLE
4 PLACES

R4.63



3"x4" METAL TO METAL ADAPTER FLANGE - BASIC DETAIL
(BPI PART No. BPIU-24AF)

NOTE(S):
1. ALL DIMENSIONS ARE IN INCHES

			DRAWING NOT RELEASED UNTIL APPROVED & DATED		 BARNEY'S PUMPS, INC. PO BOX 3529, LAKELAND, FL 33802 PHONE: (863) 665-8500 FAX: (863) 666-3858			
			APPROVAL SIGNATURE					
			APPROVAL DATE		TITLE			
			*DRAWING NOT VALID AFTER 30 DAYS OF SIGNATURE		3"x4" METAL TO METAL ADAPTER FLANGE - BASIC			
A	INITIAL BUILD	11/14/2012			MATERIAL DUCTILE IRON			REV. A
REV.	REVISION DESCRIPTION	DATE	SCALE 1:4	DRAWN BY: R.R.B.	DATE 11/14/2012	DWG. # BPIU-24AF	PAGE 1 OF 1	