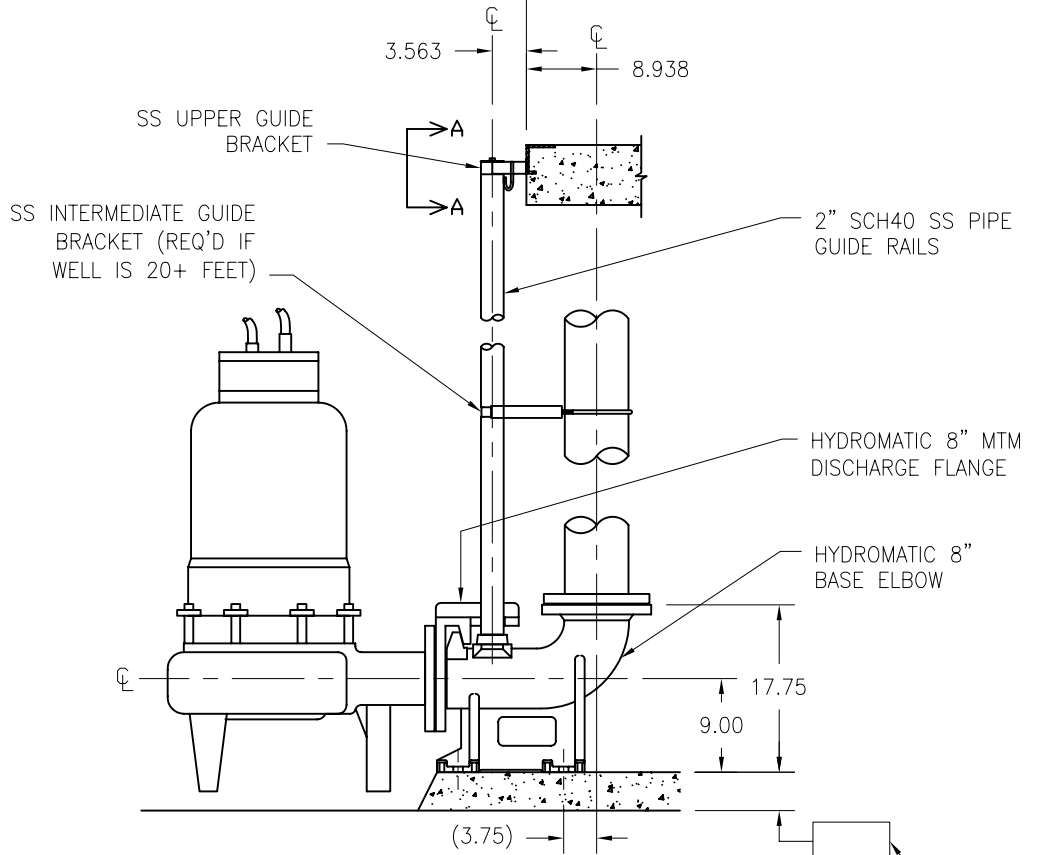
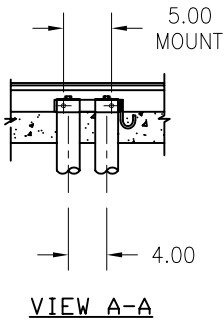
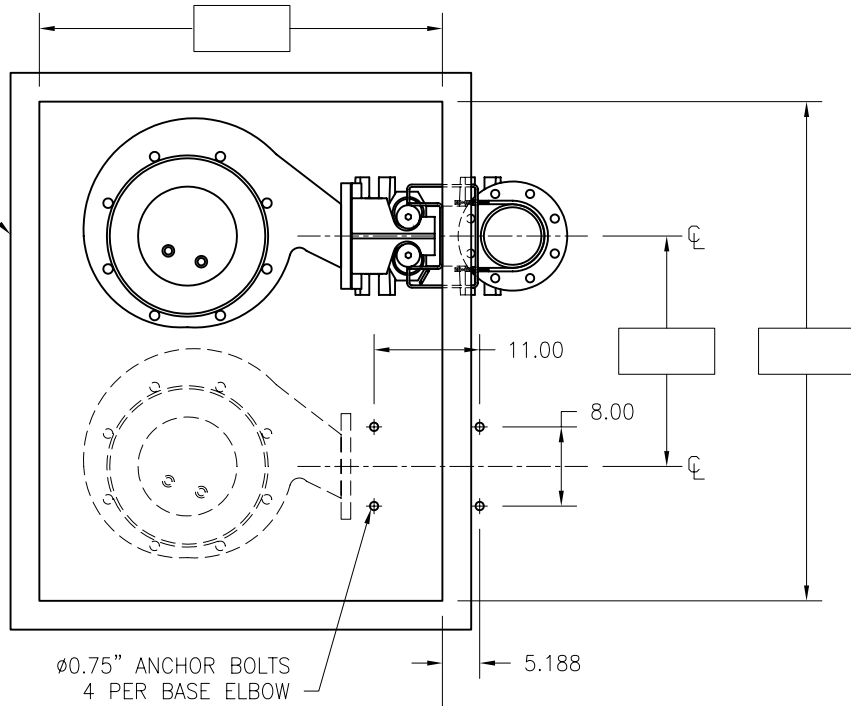


ALUMINUM HATCH



DRAWING NOT TO SCALE  
ALL DIMENSIONS IN INCHES

MINIMUM DIMENSION TO BE SUPPLIED AND VERIFIED BY CONTRACTOR.  
DISTANCE REQUIRED FOR PROPER SUCTION CLEARANCE.

			DRAWING NOT RELEASED UNTIL APPROVED & DATED		<b>BARNEY'S PUMPS, INC.</b>	
					PHONE: (863) 665-8500	
					PO BOX 3529, LAKELAND, FL 33802	
					FAX: (863) 666-3858	
B	ADDED INTERMEDIATE GUIDE BRACKET	07/19/2006	APPROVAL SIGNATURE		TITLE	
A	DIM 8.938 WAS 9.938, DIM 3.75 WAS 4.75	01/06/2005	APPROVAL DATE		8" DUPLEX RAIL SYSTEM	
REV.	REVISION DESCRIPTION	DATE	PLOT SCALE		DWG. #	
			1 TO 20		A-1066	
			DWG. BY		REV.	
			S. TOWLES		B	
			DATE		DATE	
			01/04/2005		01/04/2005	