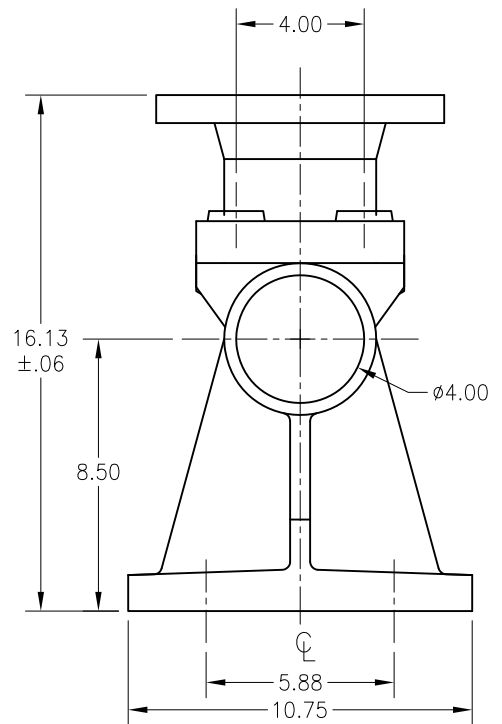
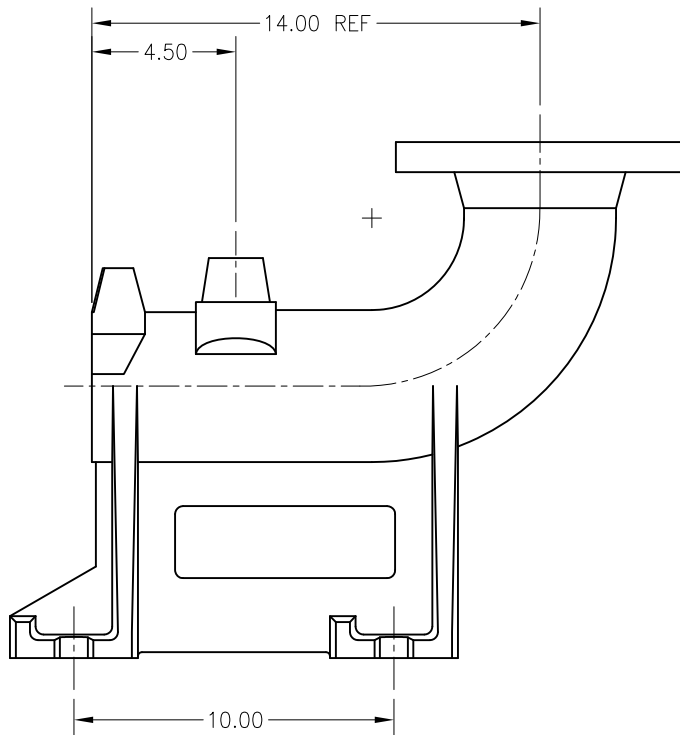
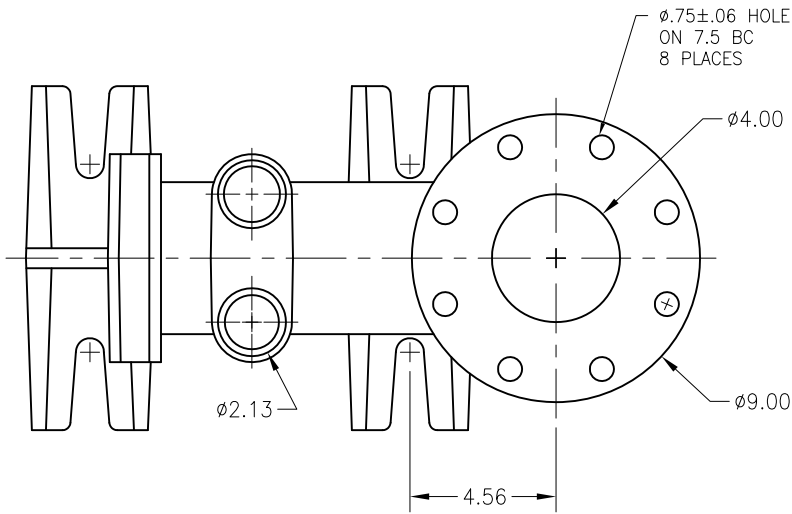



Drawing contains proprietary and confidential information. Do not share this drawing or any information on it without the express written permission of Barney's Pumps, Inc..



NOTE(S):
1. ALL DIMENSIONS ARE IN INCHES

4" BASE ELBOW DETAIL
(BPI PART No. BPIU-14)

			DRAWING NOT RELEASED UNTIL APPROVED & DATED		 BARNEY'S PUMPS, INC. PO BOX 3529, LAKELAND, FL 33802 PHONE: (863) 665-8500 FAX: (863) 666-3858			
			APPROVAL SIGNATURE					
			APPROVAL DATE		TITLE 4" BASE ELBOW - BASIC			
A	INITIAL BUILD	11/08/2012			MATERIAL DUCTILE IRON			REV. A
REV.	REVISION DESCRIPTION	DATE	SCALE 1:6	DRAWN BY: R.R.B.	DATE 11/08/2012	DWG. # BPIU-14	PAGE 1 OF 1	