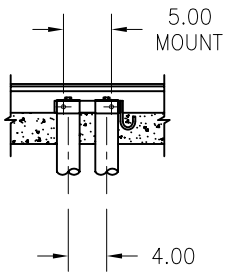
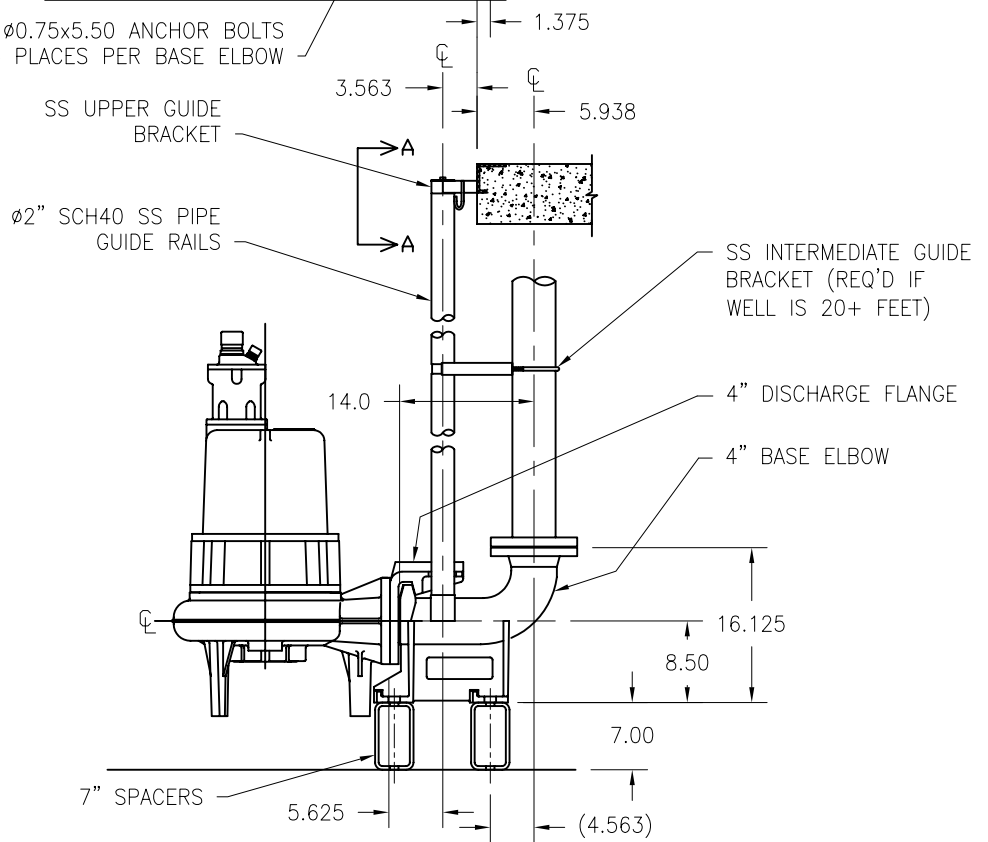


Ø0.75x5.50 ANCHOR BOLTS
4 PLACES PER BASE ELBOW



VIEW A-A



NOTE: ALL DIMENSIONS IN INCHES

			DRAWING NOT RELEASED UNTIL APPROVED & DATED		BARNEY'S PUMPS, INC.	
					PHONE: (863) 665-8500	
					PO BOX 3529, LAKELAND, FL 33802	
					FAX: (863) 666-3858	
			APPROVAL SIGNATURE		TITLE	
					4" TRIPLEX RAIL SYSTEM WITH 7" SPACERS	
			APPROVAL DATE		MATERIAL	
					-	
			APPROVAL DATE		SALESPERSON	
					-	
			DWG. SCALE		DWG. #	
			1 TO 20		A-1082	
REV.			DATE		REV.	
REVISION DESCRIPTION					-	