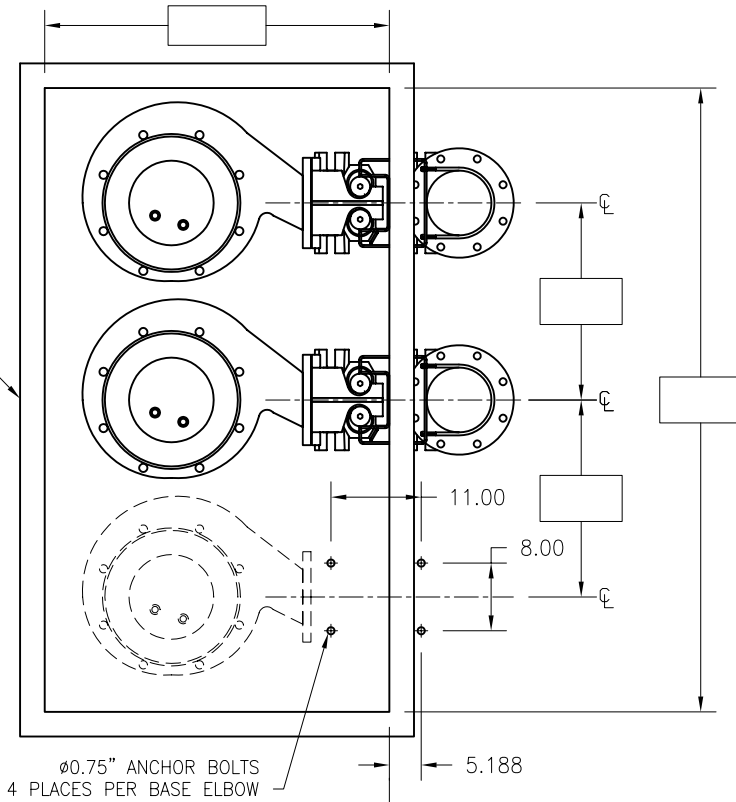
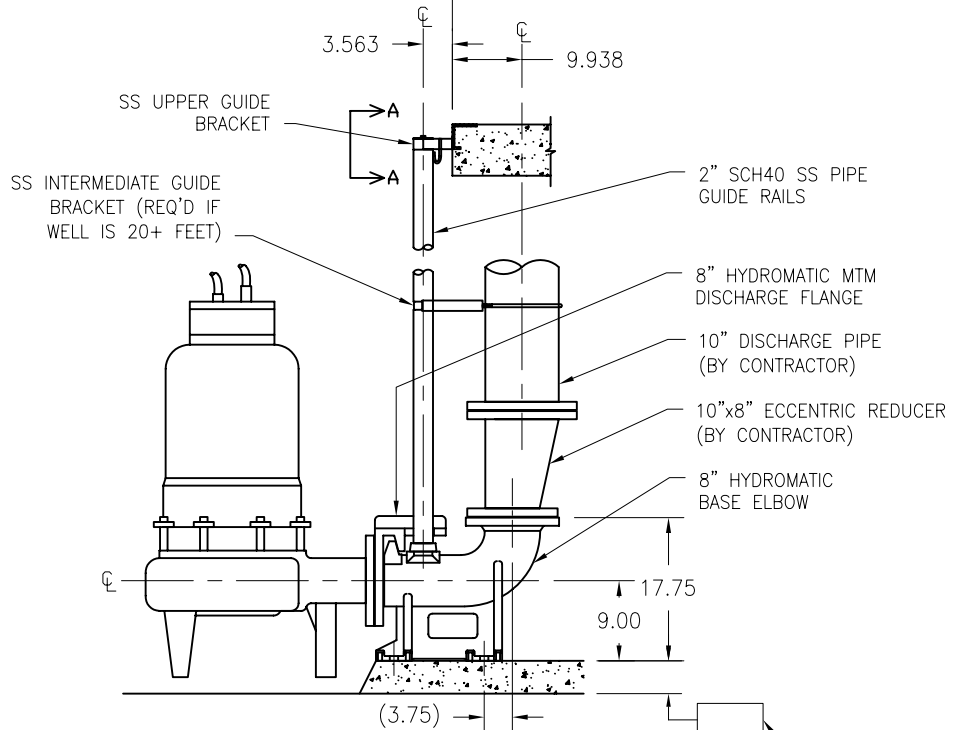
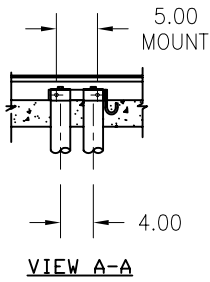


ALUMINUM HATCH



Ø0.75" ANCHOR BOLTS  
4 PLACES PER BASE ELBOW



DRAWING NOT TO SCALE  
ALL DIMENSIONS IN INCHES

MINIMUM DIMENSION TO BE SUPPLIED AND VERIFIED BY CONTRACTOR.  
DISTANCE REQUIRED FOR PROPER SUCTION CLEARANCE.

DRAWING NOT RELEASED  
UNTIL APPROVED & DATED

**BARNEY'S PUMPS, INC.**

PHONE: (863) 665-8500

PO BOX 3529, LAKELAND, FL 33802

FAX: (863) 666-3858

APPROVAL SIGNATURE

TITLE **8" TRIPLEX RAIL SYSTEM  
WITH 10"X8" ECCENTRIC REDUCER**

APPROVAL DATE

MATERIAL

DWG. #

REV.

PLOT SCALE

DWG. BY

DATE

A-1080

REV. REVISION DESCRIPTION

DATE

1 TO 20

S. TOWLES

05/01/2007

-