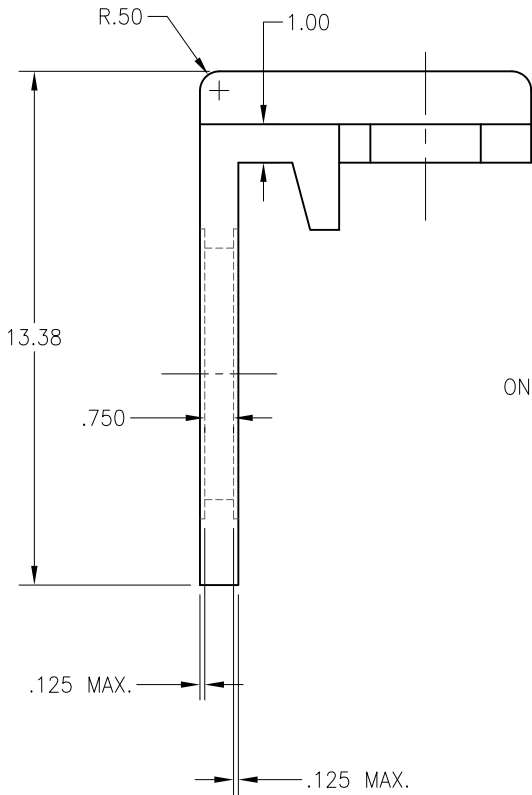
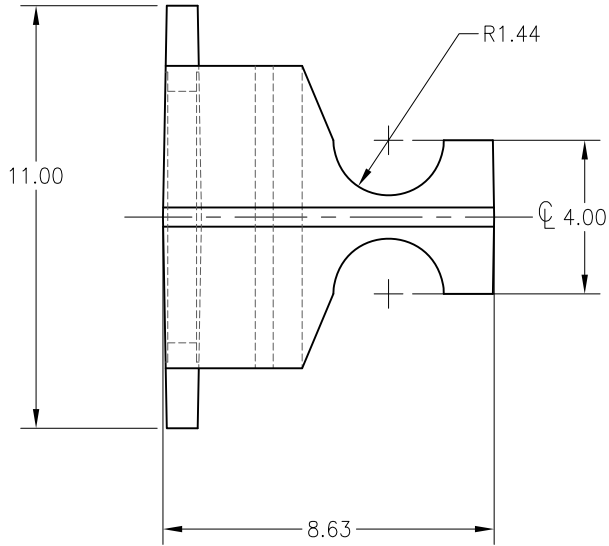


Drawing contains proprietary and confidential information. Do not share this drawing or any information on it without the express written permission of Barney's Pumps, Inc..



3/4-10 THRU TAP
ON 9.5" BOLT CIRCLE
8 PLACES

ø6.550


R5.50



6" GROMMET DISCHARGE FLANGE DETAIL

(BPI PART No. BPIUG-26)

NOTE(S):
1. ALL DIMENSIONS ARE IN INCHES

			DRAWING NOT RELEASED UNTIL APPROVED & DATED		 BARNEY'S PUMPS, INC. PO BOX 3529, LAKELAND, FL 33802 PHONE: (863) 665-8500 FAX: (863) 666-3858	
			APPROVAL SIGNATURE			
			APPROVAL DATE		TITLE 6" GROMMET DISCHARGE FLANGE - BASIC	
A	BUILD	11/08/2012			MATERIAL DUCTILE IRON	
REV.	REVISION DESCRIPTION	DATE	SCALE 1:5	DRAWN BY: R.R.B.	DATE 11/08/2012	DWG. # BPIUG-26
					PAGE 1 OF 1	REV. A